

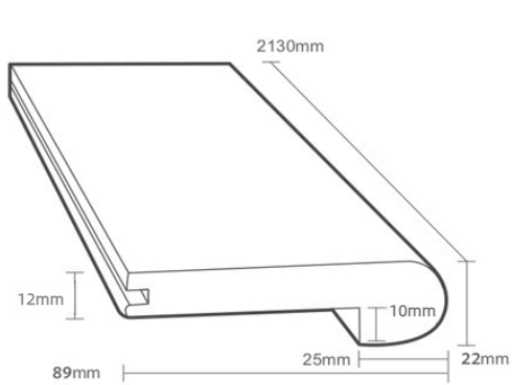


VAF TEXAS
A FLOORING COMPANY

Visual Artisan Floors

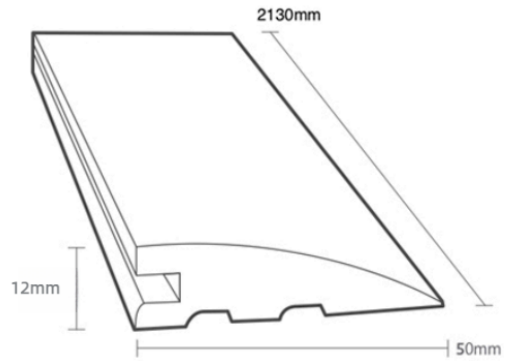
Hardwood Molding Specifications

6 matching colors available



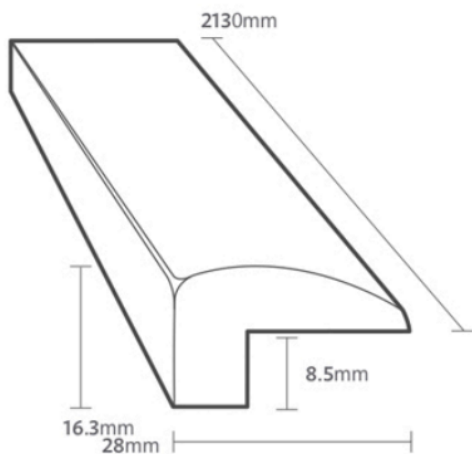
Staimose

Thickness:0.86 in. Width:3.5 in. LENGTH:7 ft



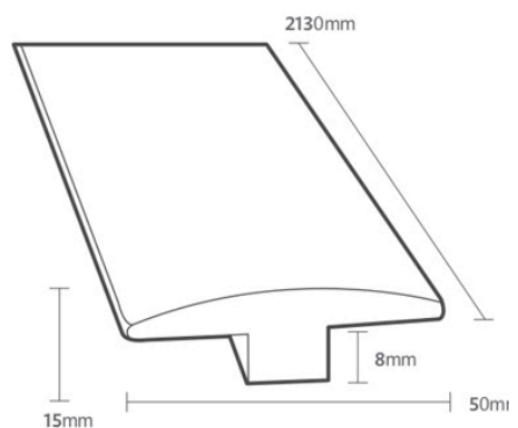
Reducer

Thickness:0.47 in. Width:1.97 in. LENGTH:7 ft



Baby Threshold

Thickness:0.64 in. Width:1.1 in. LENGTH:7 ft



T-Mold

Thickness:0.59 in. Width:1.97 in. LENGTH:7 ft